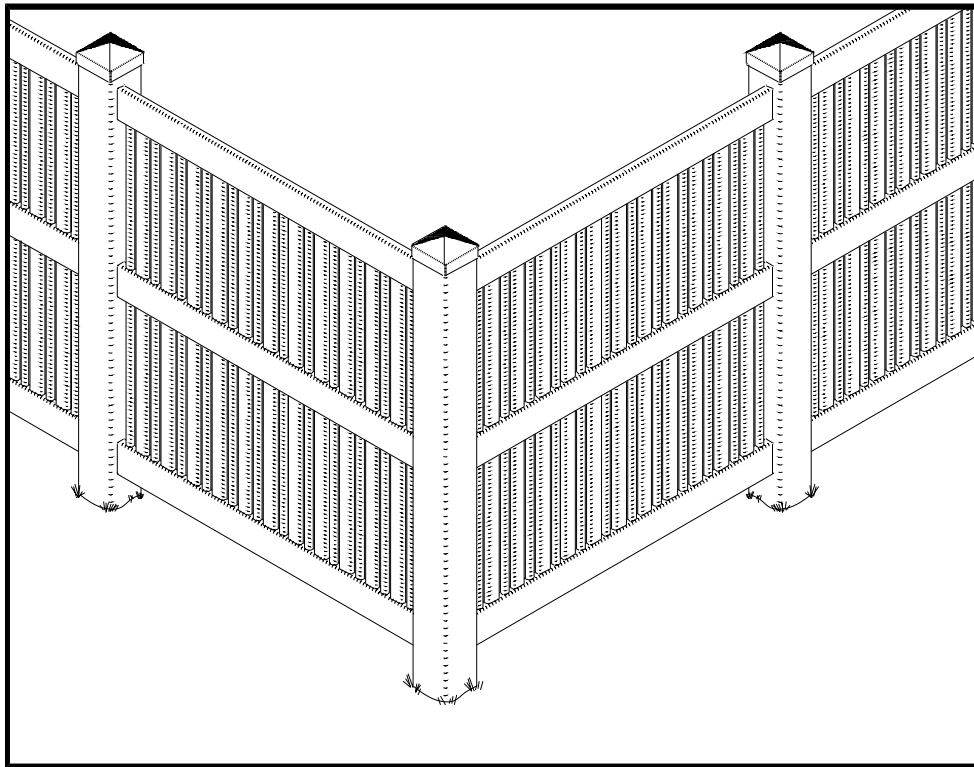


# UltraGuard<sup>®</sup>

F E N C I N G   A N D   R A I L I N G

## SEMI-PRIVACY FENCE INSTALLATION GUIDE



P.O. BOX 150 • AKRON, OHIO 44309

## General Post Installation

### STEP 1

Survey land for special features, obstructions, underground cables, concrete from old fence. Be sure to follow all local building codes and obtain a building permit if necessary. If underground utility lines are present, contact utility companies before digging.

### STEP 2

Run string lines- push as low to ground as possible without distorting straight line. (Avoid tall grass, weeds)

### STEP 3

Map location for holes- using 50' or 100' tape measure, run along string line and spray with marking paint every 6'-0" or 8'-0". (Remember that posts should not be installed more than 8' center to center, but may be slightly under, as rails may be cut but not lengthened.) Use a different mark to signify location of gate posts. (See diagram 1)

### STEP 4

Dig post holes- remove string line without moving stakes. Using post hole digger or auger bit (8" for 4 posts, 10" for 5" posts) Dig down to proper depth while staying as plumb as possible. Repeat for every 6' or 8' mark as well as gate openings. Accuracy in depth helps to simplify installation.

Note: Recommended depth of holes to be 3'-0" minimum- check local codes and frostline as greater depths may be required.

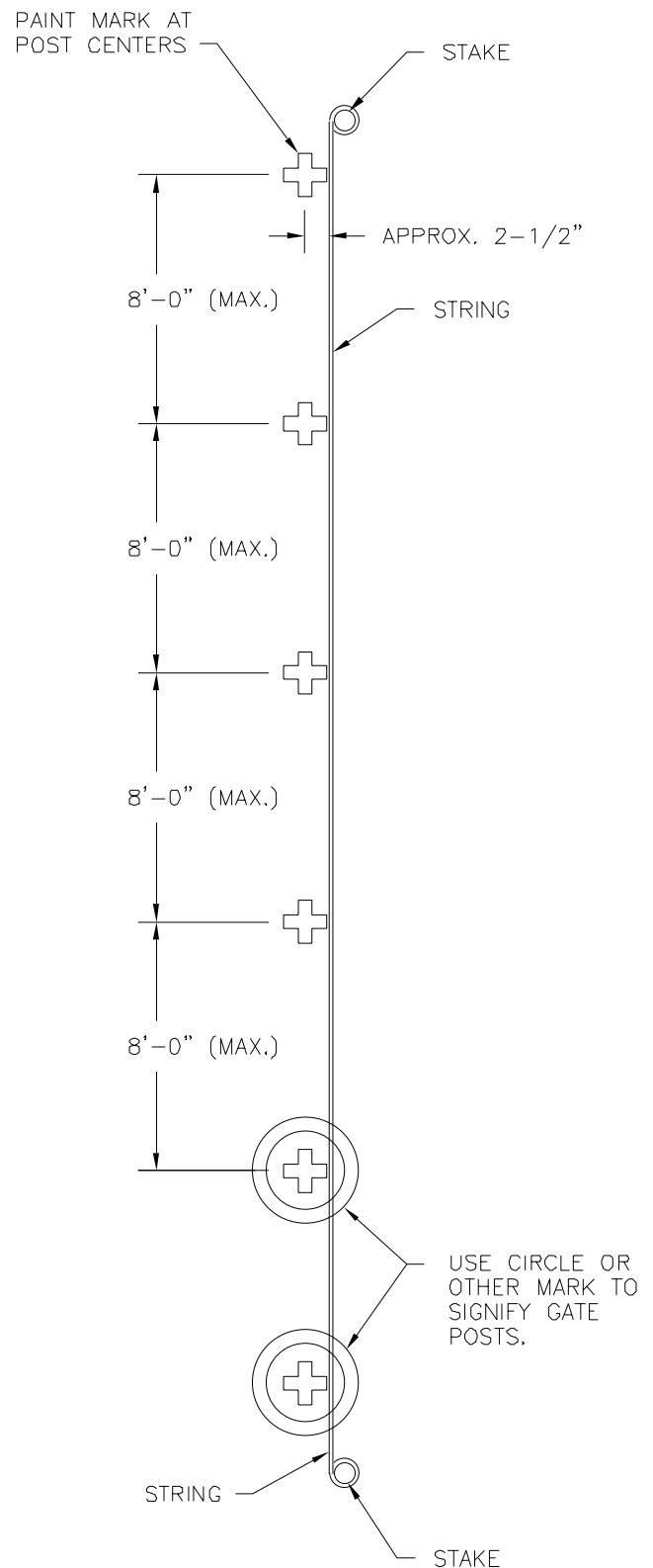


DIAGRAM 1

## General Post Installation

### STEP 5

Re-run string line on original stakes (8" to 12" from high spot of ground.)

### STEP 6

Set proper post in each hole (end, corner, line). Cleanup of some holes may be necessary due to large rocks or roots. Some posts may need to be cut. Use level and hold post in it's desired location. (Check height, distance from next post, distance from string line, and plumb). Post should be kept at a slight distance from the string line so as not to deflect line. Use spacing jig as described on page 8 to aid in post spacing. Kick in and/or tamp only enough dirt to hold location. Repeat until all posts are lightly set (still adjustable).

### STEP 7

To insure a quality job, it is strongly recommended that all line posts be set in concrete, and it is necessary for all corner, end, and gate posts. To do this, hold post in place to prevent slippage. Fill remainder of hole around post with concrete to 3-4 inches below ground level. Be sure to work concrete into hole by shaking post. Make sure post is exactly where it should be. Continue filling all holes. Gate posts must be accurately measured and set.

Make any final adjustments and cover concrete with remaining dirt. (See diagram 2)

Note: It is recommended that concrete foundations be allowed to set at least 24 hours before continuing to Step 8.

### NOTE:

THESE INSTALLATION GUIDELINES SHOULD PROVE SUCCESSFUL IN CONDITIONS WHERE WINDS ARE LIGHT TO MODERATE AND SOIL CONDITIONS ARE STABLE. IN CONDITIONS WHERE WIND LOADS ARE HIGH OR SOIL IS LESS STABLE, OTHER PRACTICES MAY BE DESIRED SUCH AS: USING LARGER HOLES FOR POSTS, INSTALLING REBAR IN EACH POST AND FILL INSIDE WITH CONCRETE TO APPROX. 1' TO 2' ABOVE GRADE.

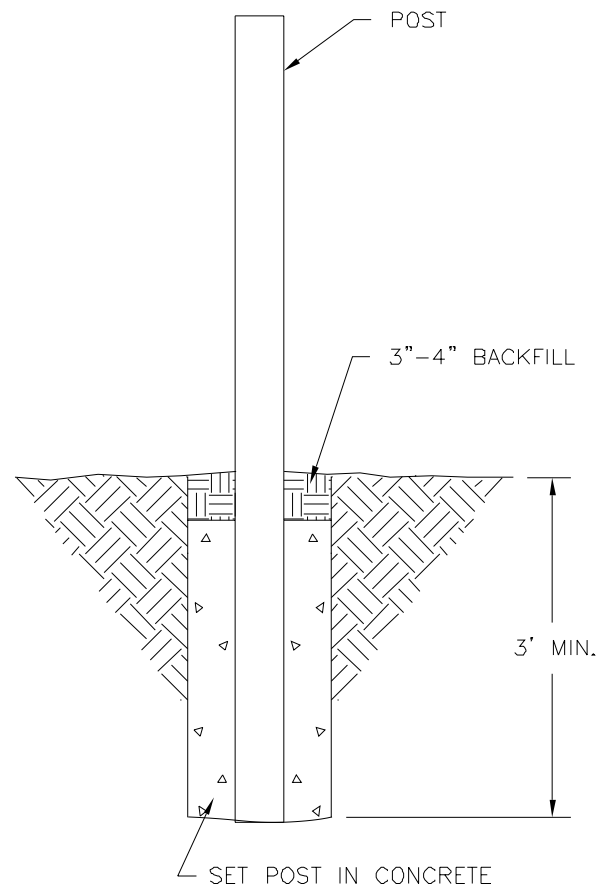
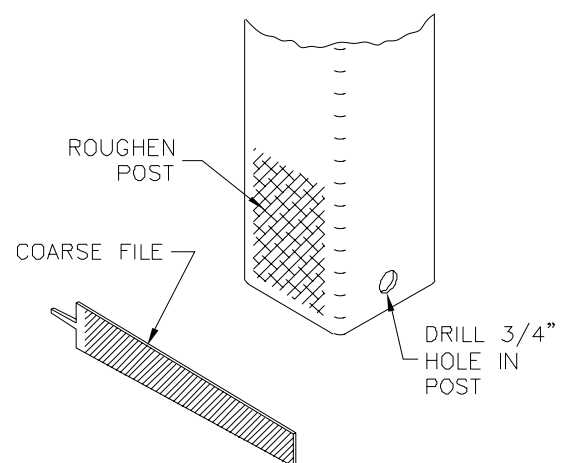


DIAGRAM 2



### HELPFUL HINT

To help prevent up-heaving of posts, either use coarse file to roughen up bottom of post, or drill 3/4" hole on each side of post near the bottom.

## Semi-Privacy Section Installation

### STEP 8

Weep holes should be drilled in bottom of lower rail, especially if posts are filled with concrete. Using a 1/4" drill bit that is 4" long (from drill chuck), drill 3 holes- one in center and the other two at each end of rail approx. 8 to 12 inches from end. Holes should be drilled from bottom and thru both internal ribs in the rail. (See diagram 3.) This will prevent moisture from collecting in the rail.

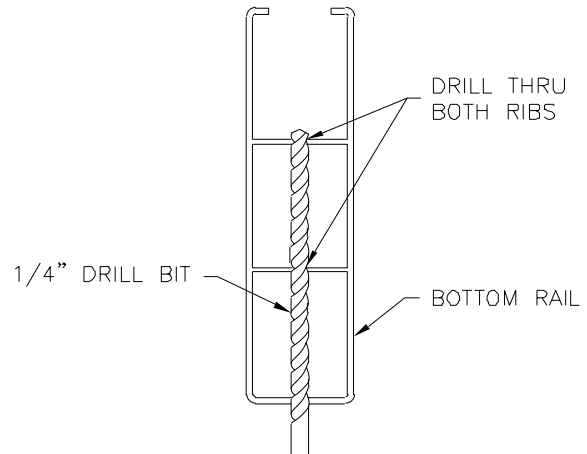


DIAGRAM 3

### STEP 9

Install pre-assembled sections. Starting at one end, insert bottom rail into the first post, then follow with the mid and top rails. Push the rails into the routed holes until the notch engages properly. Moving to the free end of section, finish installing the section into the second post. Insert the bottom rail first, by firmly pushing rail into the first post and then swing the free end up over the bottom hole in the second post. Push the rail down until it snaps into the lower hole. Complete the installation by inserting mid and top rails.

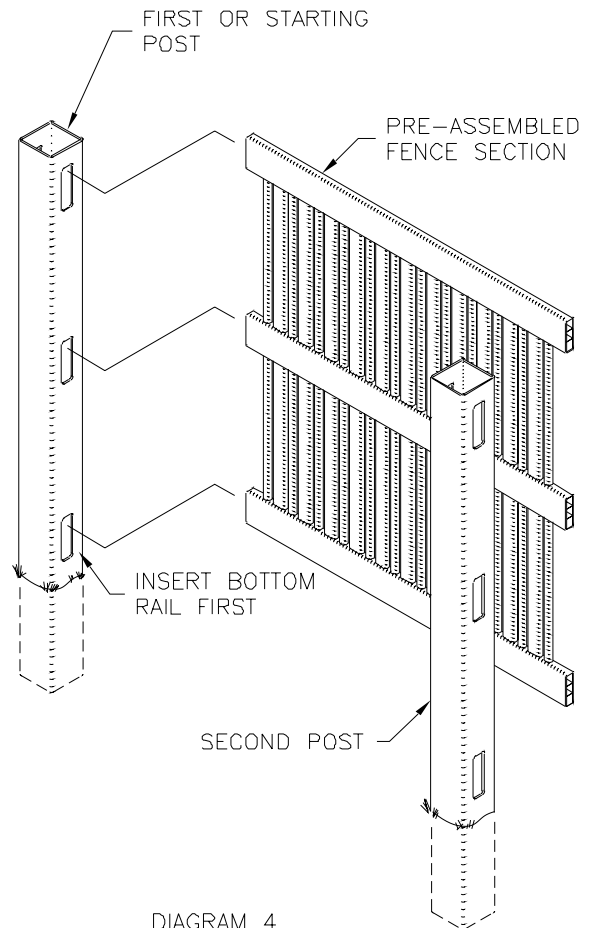


DIAGRAM 4

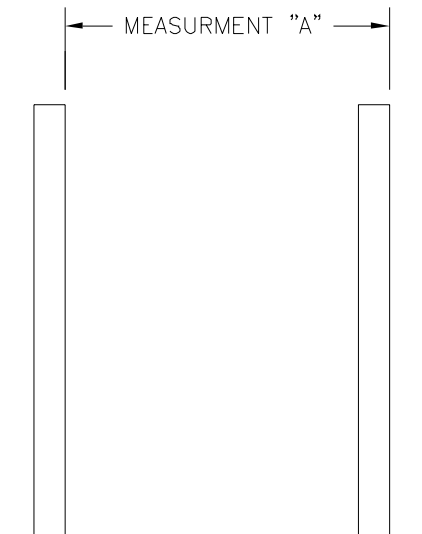
### STEP 10

Continue installing sections as indicated in step 9, until all sections are secured in the posts.

## Cutting Semi-Privacy Sections

### STEP 1

Using tape measure- find "A" (center to center of posts) and write number down.

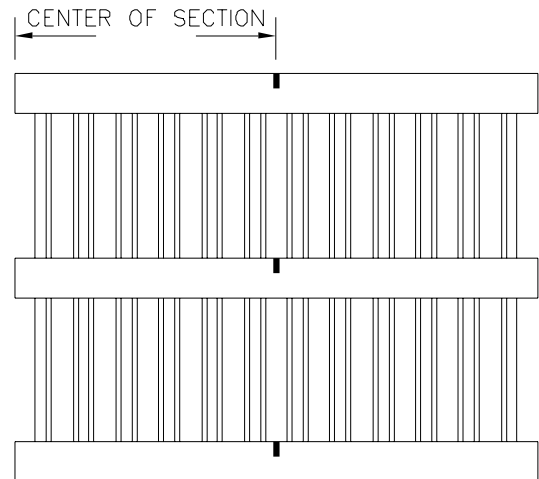


### STEP 2

Locate the center point of the section and mark with a pencil as shown below.

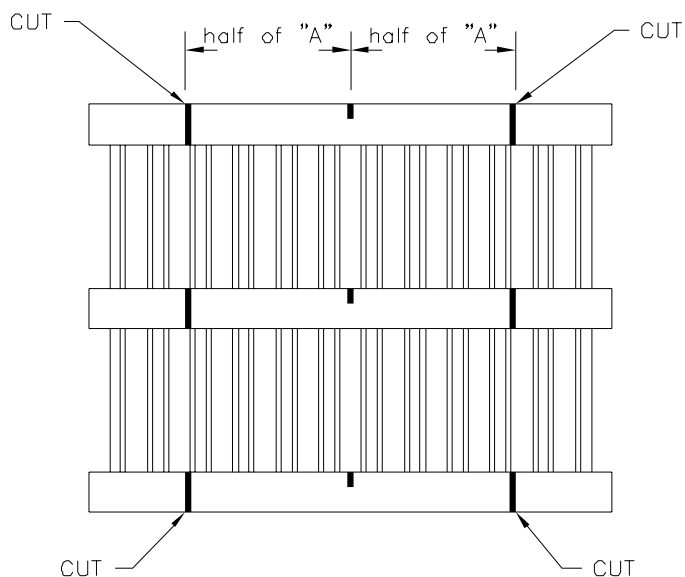
6' width approx. 35 7/8"

8' width approx. 47 7/8"



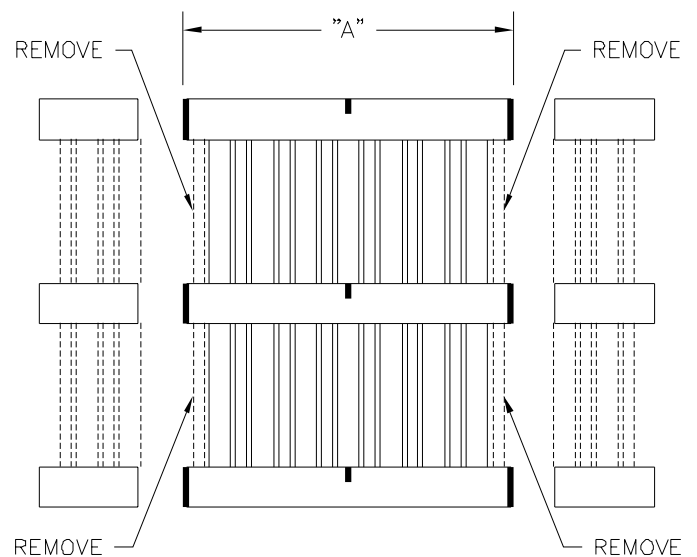
### STEP 3

Using 1/2 of measurement "A" from step one, measure out from center mark on rails each direction and mark as shown below. Cut the rails and remove any pickets which are within 2 1/2" from ends of rails. (Note: Pickets are notched on the bottom and must be compressed with a clamp just above notch to remove.)



### STEP 4

After unnecessary pickets are removed, notch the rails and the section is ready to install.



## Semi-Privacy Section Installation

### STEP 11

Install alignment screws on the inside of each section as shown in diagram 5. Keep the edge of alignment cap as tight to post as possible and position about 1 3/4" from edge of rail. See diagram 6 for recommended location of screws. (Self-drilling screws are provided- a power screw driver or drill should provide easiest installation)

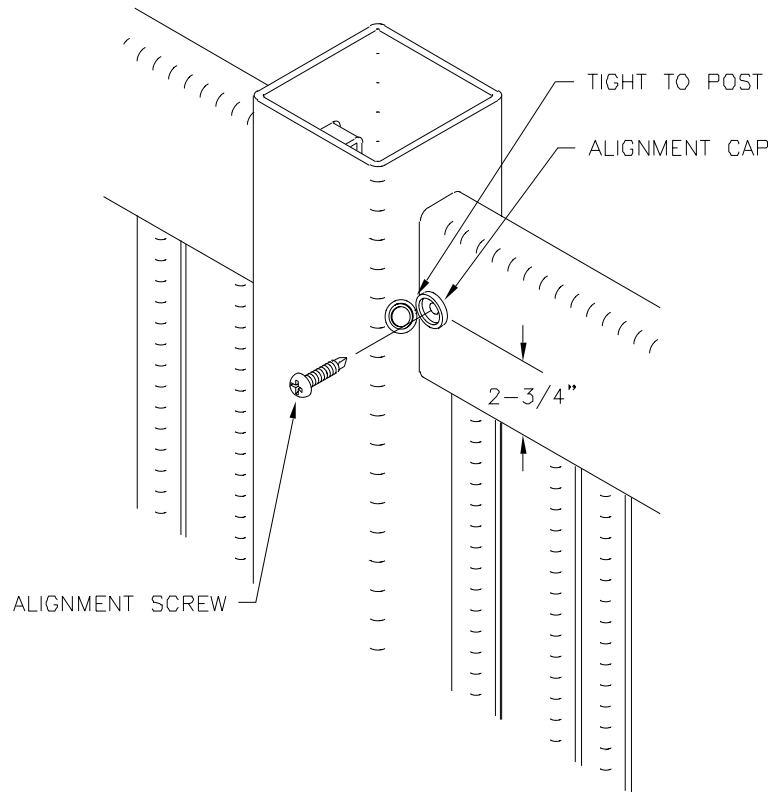


DIAGRAM 5

### STEP 12

Clean up fence and put caps on all posts. Take care in wiping down the entire fence especially any concrete which may be on the posts or the ground.

### HELPFUL HINTS:

To insure proper post spacing, make a jig from a scrap fence rail or a wood 2 x 4 measuring the following length:

6' on center width	8' on center width
68" for 4" x 4" posts.	92" for 4" x 4" posts.
67" for 5" x 5" posts.	91" for 5" x 5" posts.

For exact 90° corners, use a 3. 4. 5, triangle.

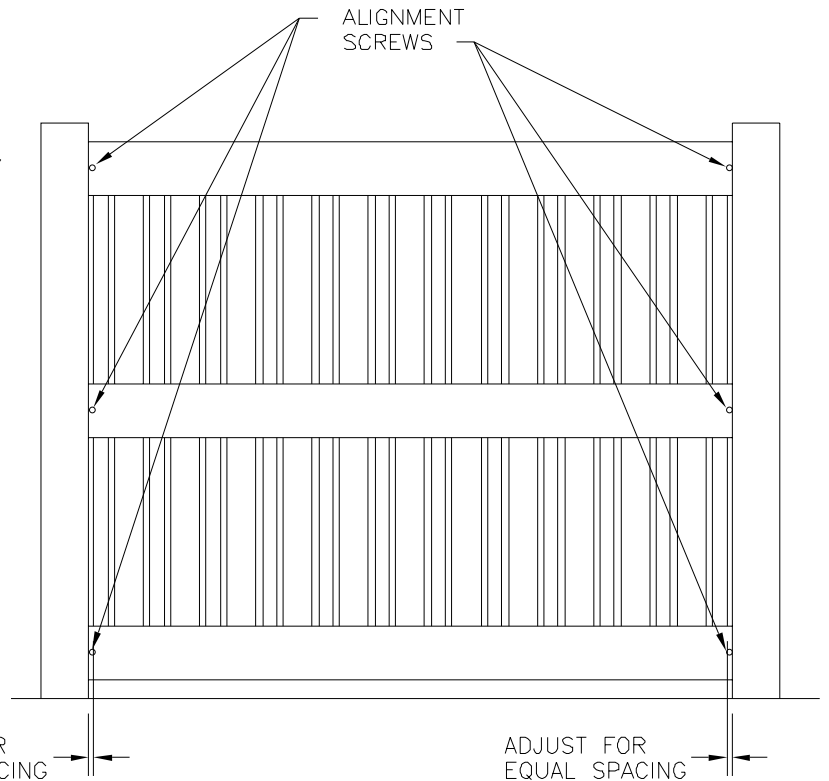
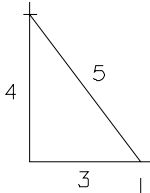
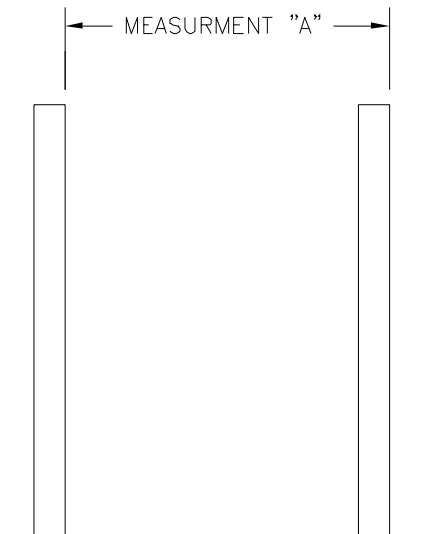


DIAGRAM 6

## Cutting Semi-Privacy Sections

### STEP 1

Using tape measure- find "A" (center to center of posts) and write number down.

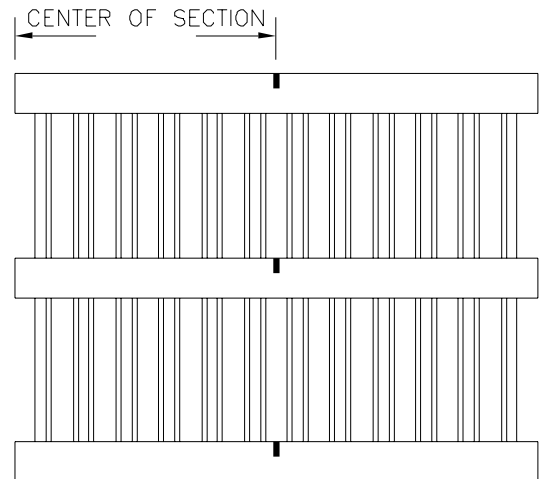


### STEP 2

Locate the center point of the section and mark with a pencil as shown below.

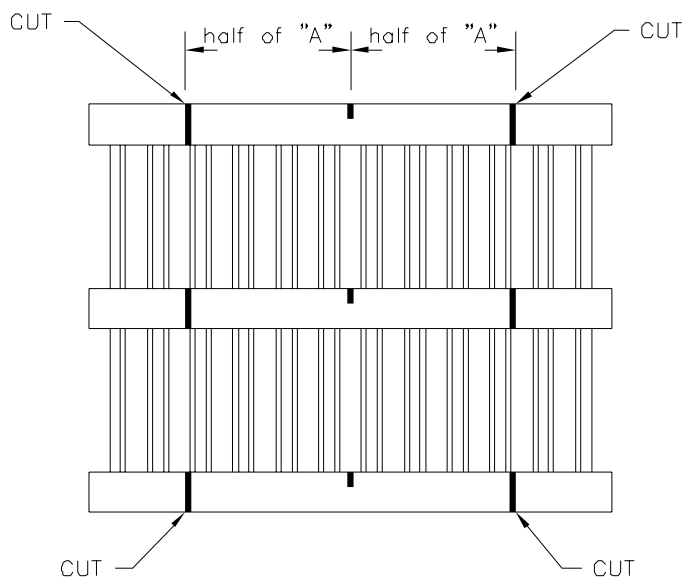
6' width approx. 35 7/8"

8' width approx. 47 7/8"



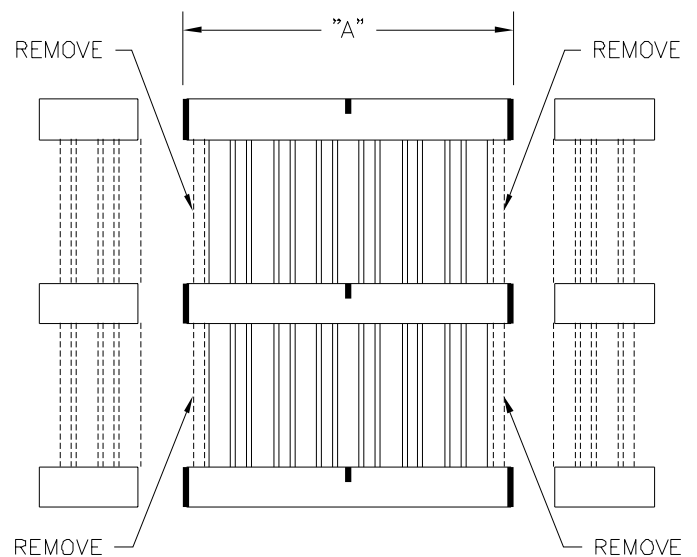
### STEP 3

Using 1/2 of measurement "A" from step one, measure out from center mark on rails each direction and mark as shown below. Cut the rails and remove any pickets which are within 2 1/2" from ends of rails. (Note: Pickets are notched on the bottom and must be compressed with a clamp just above notch to remove.)



### STEP 4

After unnecessary pickets are removed, notch the rails and the section is ready to install.





**UltraGuard<sup>®</sup>**

**F E N C I N G   A N D   R A I L I N G**

P.O. BOX 150   Akron, Ohio 44309   800-457-4342

DISTRIBUTED BY:

SEMI PRIVACY INSTALLATION GUIDE  
P/N 75-9948-17   REV. 8/04