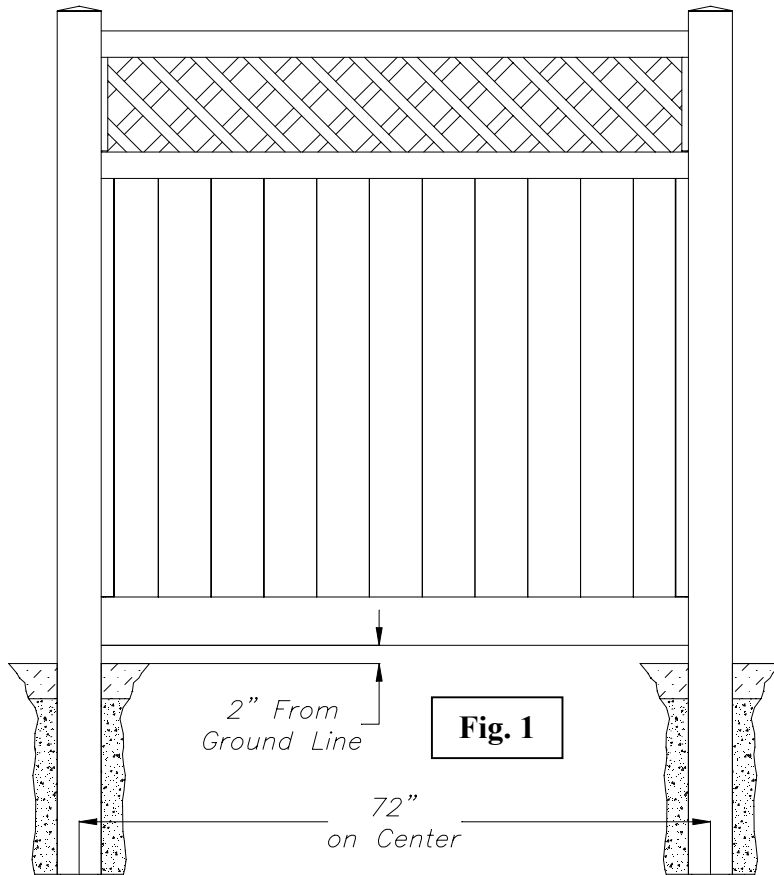


Kingston with Lattice Fence Installation Instructions



1) Dig postholes 72" on center. Holes should be 9-12" in diameter, 36" in ground. (Fig. 1)

2) Install C-Channel and Lattice Channel onto post with SS Screws. (1) screw top & bottom. (1) every 16".

3) Place post in hole and tap down so there is 2" of clearance from ground. (Do not set posts permanently in place at this time) (Fig. 1)

4) Insert reinforcement rail into the bottom rail. Install rail locks into rail lock holes. Insert bottom rail into posts and lock into place.

5) With bottom rail installed, level bottom rail by tapping on posts. Make sure to maintain 2" ground clearance.

6) Install the mid-lattice pocket rail as per step #4, leaving one end outside of posts to allow for loading T & G boards. (Fig. 2)

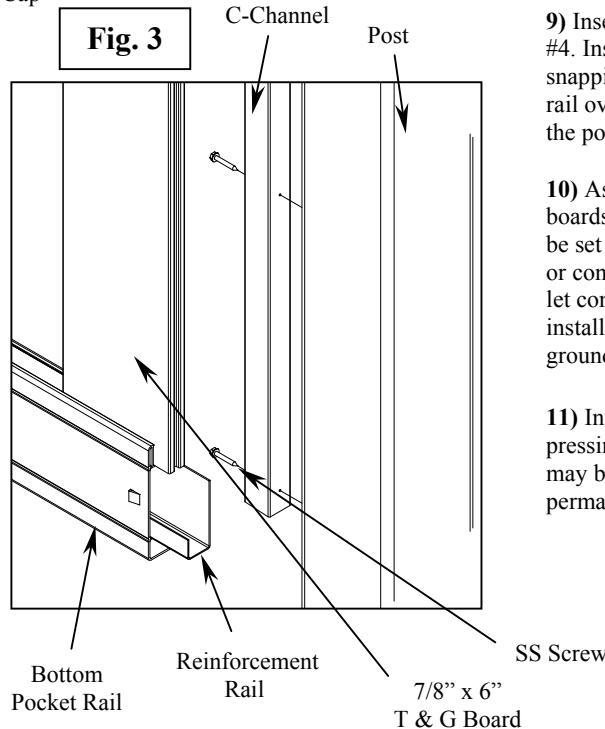
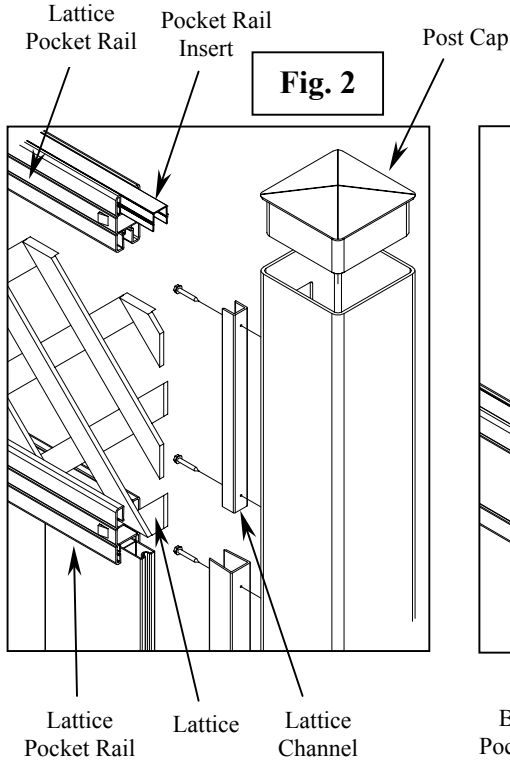
7) Install the T & G boards by sliding them into the bottom pocket rail. When the boards are completely loaded, lock remaining end of mid rail into post.

8) Install lattice section by sliding down through lattice channel and into the lattice pocket rail. (Fig. 2)

9) Insert top pocket rail similar to step #4. Install pocket rail insert by snapping into place. Slide lattice pocket rail over lattice section and lock into the posts. (Fig. 2)

10) As each section is installed and T & G boards are snug between posts, posts may be set permanently in place. Crushed stone or concrete may be used. If using concrete, let concrete set before continuing installation. Keep concrete 4" - 6" below ground level. (Fig. 1)

11) Install post caps (4" flat shown) by pressing into place. A dab of PVC glue may be used to secure caps permanently in place. (Fig. 2)



Kingston with Lattice Fence

