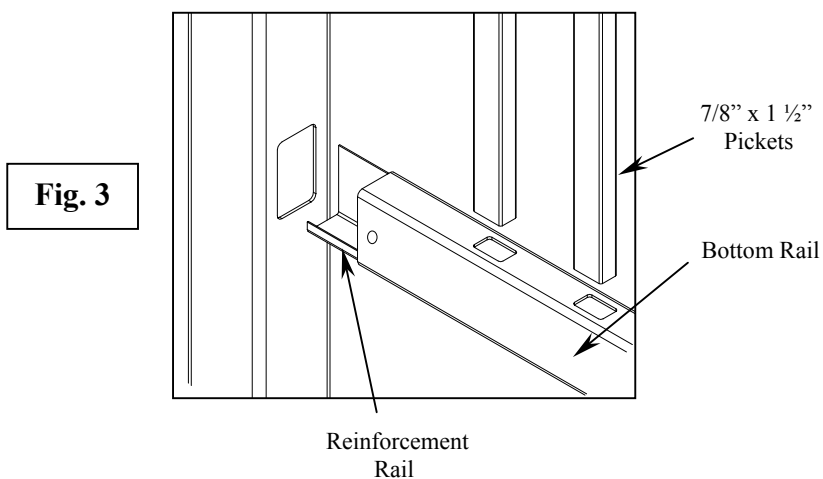
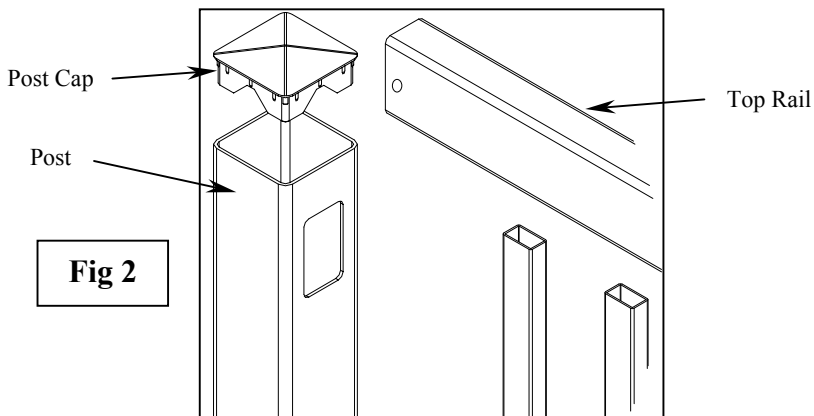
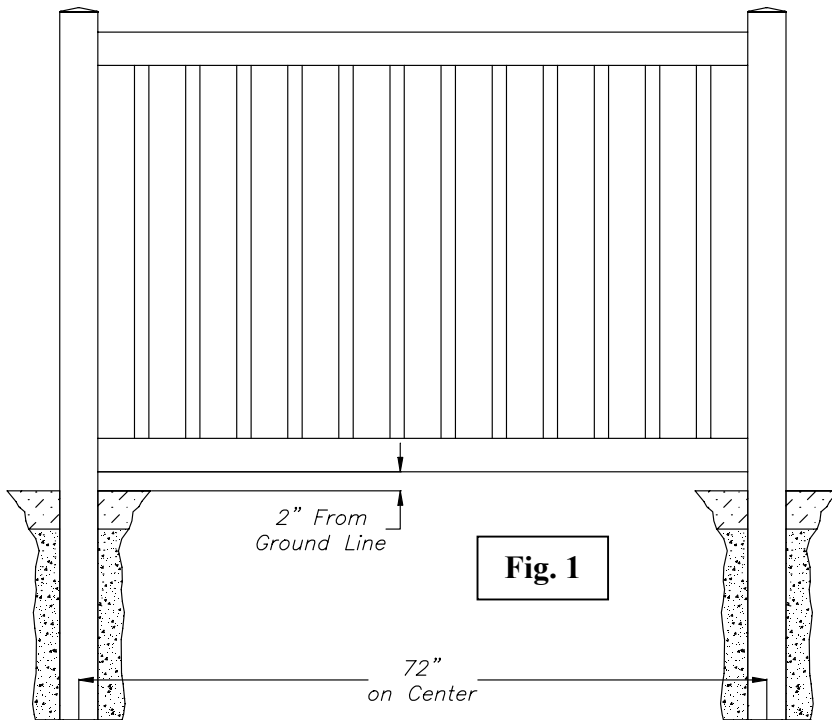


Hartford Fence Installation Instructions



1) Dig postholes 72" on center. Holes should be 9-12" in diameter and 30" in ground. (Fig. 1)

2) Place post in hole and tap down so there is 2" of clearance from ground. (Do not set posts permanently in place at this time)

3) Insert the reinforcement rail into bottom rail. Insert rail locks into rail lock holes. Install the bottom rail into posts.

4) With bottom rail in installed, level bottom rail by tapping on posts. Make sure to maintain 2" ground clearance.

5) When posts and rails are leveled, postholes may be packed and filled. Crushed stone or concrete may be used. If using concrete, let concrete set before continuing installation.

6) Install pickets by first inserting them into bottom rail.

7) Install top rail in the same fashion as bottom rail in operation #3. (Fig. 2) Insert pickets by slowly lowering the top rail, working from one end to the next. Keep the top rail "flexed" outside of the posts and work the pickets into the top rail. When all pickets are inserted, insert the ends of the top rail into posts. The posts will flex side to side to enable you to do this.

8) Install post caps (4" flat shown) by pressing into place. A dab of PVC glue may be used to secure caps permanently in place. (Fig. 2)



Royal Outdoor Products

Royal Outdoor Products, PO Box 360, Milford, IN 46542
Phone 800-365-3625. Fax 574-658-3147

Hartford Fence

