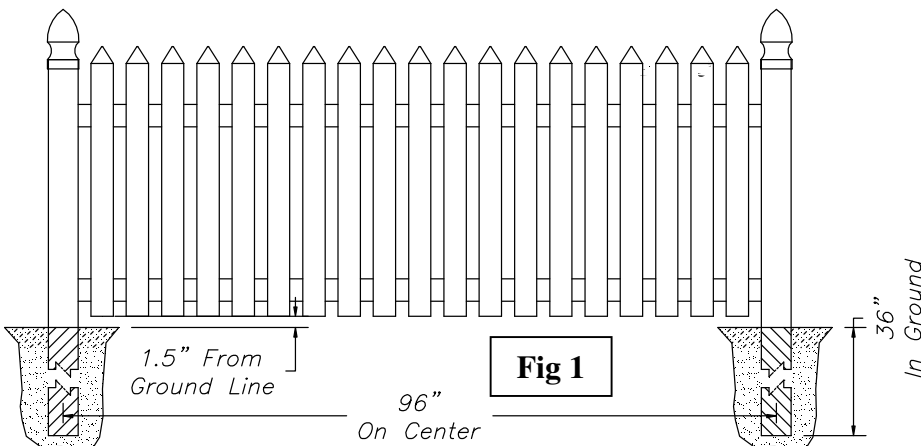


Crown Point Traditional Fence Installation



1) Dig postholes 96" on center. Holes should be 9-12" in diameter and 36" in ground. (Fig. 1)

2) Place post in hole and tap down so that there is 1.5" of clearance from ground. Note Fig. 2 showing post configurations. The side the pickets are attached to is referred to as the outside or finished side. (Do not set posts permanently in place at this time)

3) (Fig. 3) Insert rail locks into rail lock holes and install bottom rail into posts. Repeat for top rail. Take care to install rails so the picket clips are facing up (As shown in Fig. 3 & 4).

4) When posts and rails are leveled, postholes may be packed and filled. Crushed stone or concrete may be used. If using concrete, let concrete set before continuing installation. Keep concrete 4" - 6" below ground level.

5) Attach pickets to rails (Fig. 4). They should slide down over the picket clips and latch into place as the hole locks over the screw head.

6) Install picket caps as a final assembly step by pressing into place. A dab of PVC glue may be used to secure caps permanently in place.

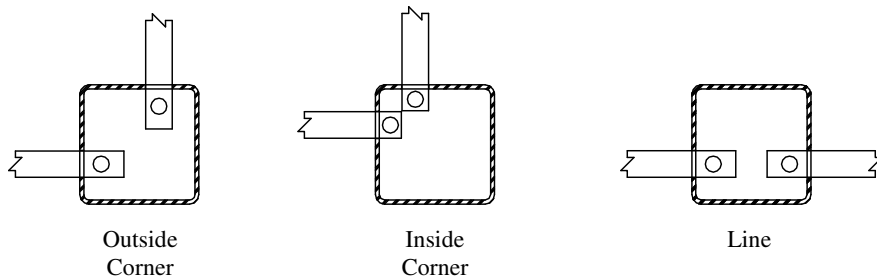


Fig 2

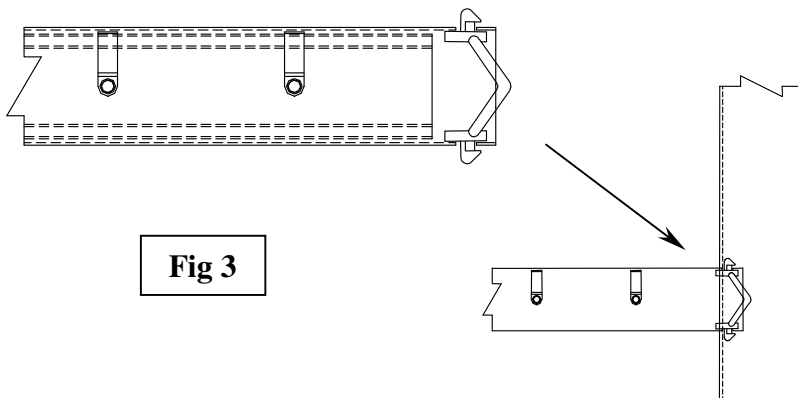
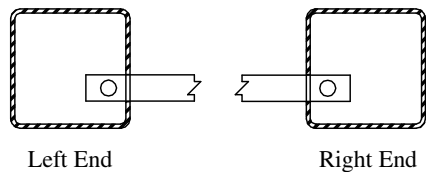


Fig 3

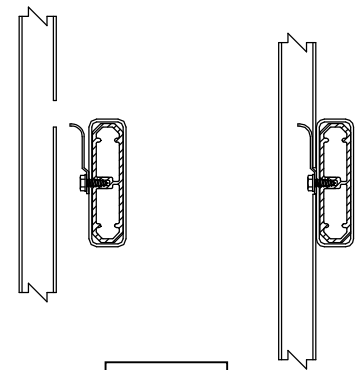


Fig 4